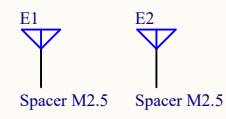
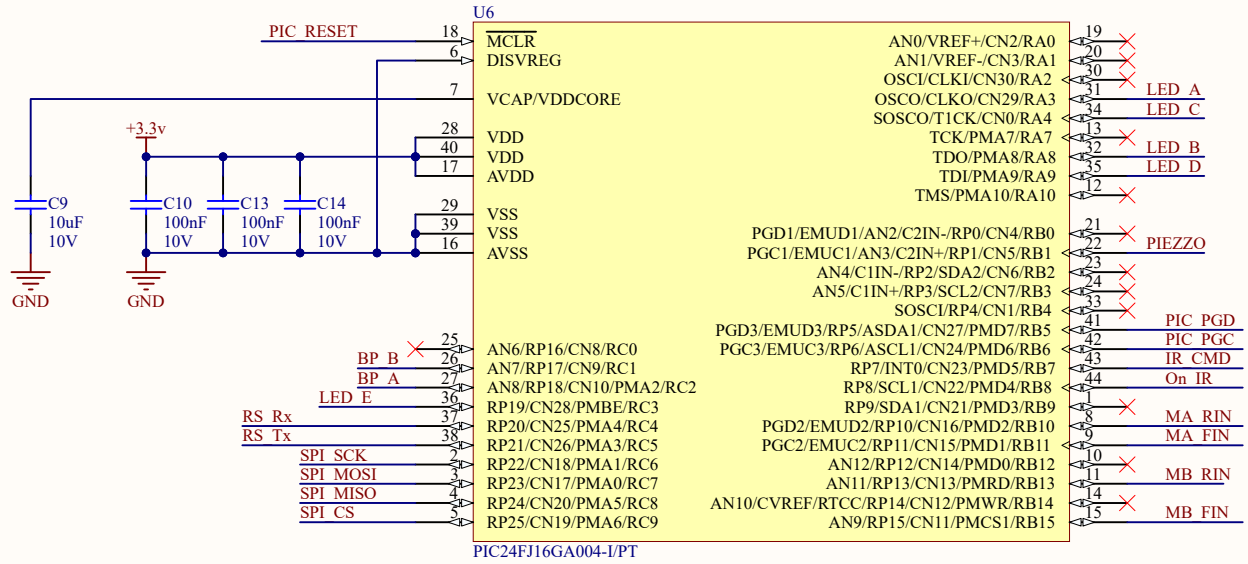


Title		
Size: A4	Number:	Revision:*
Date: 19/06/2023	Time: 14:21:44	Sheet2 of 2
File: \\NAS-DLINK\Volume 1\NAS\La cave a jojo\Dev Electronique\Robotique\Crapule 2022 & 2023\Altium\PCB Cerveau\Ver3		





Title		
Size: A4	Number:	
Date: 19/06/2023	Time: 14:21:45	
File: \\NAS-DLINK\Volume 1\NAS\La cave a jojo\Dev Electronique\Robotique\Crapule 2022 & 2023\Altium\PCB Cervega\Ver.3	Revision:*	
Sheet * of *		